

IDpro



A single source for all your technology needs

All you can read

Ensure your investment over the long term

IDpro represents SICK's expertise in all three automatic identification technologies: **laser scanner, camera, and RFID.**

All IDpro devices are compatible and interchangeable via our standardized IDpro platform. To help you choose the ideal identification technology, we will provide you with comprehensive information.

Information on IDpro for customers can be found in the current identification solutions product catalog and at www.sick-idpro.com

The benefits of IDpro devices

- **Fast training in the three identification technologies** thanks to the standardized operating concept with a single operation software package
- **Maximum process reliability** through the use of common industry standards in terms of connectivity
- **Reduced integration effort** thanks to standardized IDpro platform
- **Simple commissioning** even with cross-technology applications
- **Low storage effort, low storage costs** due to fewer components and accessories
- **Investment security** due to the ability to switch between technologies with the same connectivity
- **Fast and flexible exchanging** due to standardized connectivity
- **Information from a single source** cross-technology, comprehensive, and neutral
- **Low-cost maintenance**



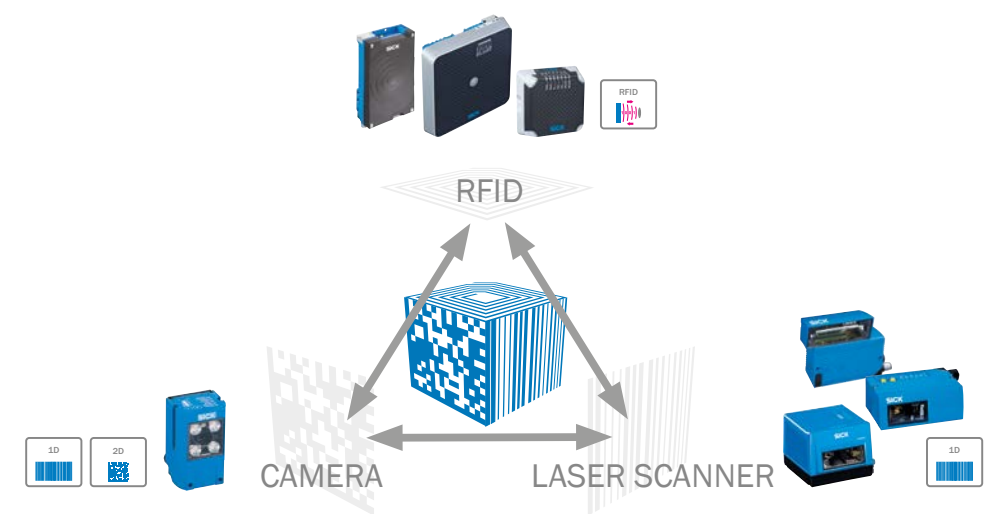
IDpro CONNECTS

AN INTELLIGENT TOOL TO EASILY SELECT THE CONNECTIVITY THE CUSTOMER NEEDS FOR IDPRO DEVICES

Modular Connectivity from a Single Source

SICK
Sensor Intelligence.





All IDpro devices are compatible and interchangeable via our standardized IDpro platform with

- Identical connectivity
- Identical user interfaces
- Identical accessory concepts

Connection

Swivel connectors, flexible mounting

- The practical, swivel connector makes it possible to fit and connect IDpro devices in difficult-to-reach locations
- Convenient network configuration, fast male connector connection, and flexible mounting for all devices

Ethernet on board

- No additional Ethernet gateway is needed, reducing costs
- Secure investment: future industrial Ethernet protocols can be imported via software

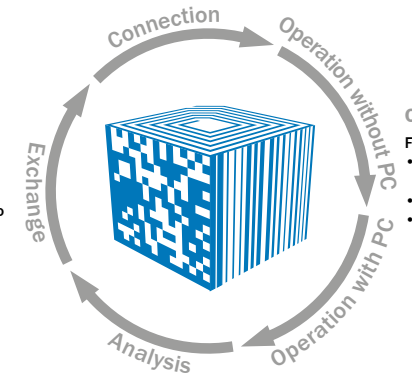
Same modular connectivity for all devices

- All IDpro devices function with the same modular connectivity. And, since it is easy to switch between technologies, you'll benefit from simplified ordering, reduced integration effort, and investment security
- Flexible fieldbus connection via connection modules

Exchange

Cloning function

- Simple and fast exchange – without reconfiguration – using a PC, due to parameter cloning via optional micro SD memory card or cloning module



Operation without PC

- Function keys and LED display on the device
- Two function keys, e.g., for starting the auto setup and teaching a match code
- LED bar graph for checking the read rate
- Auto setup for automatic configuration of the device

Analysis

Standardized diagnostic function

- An event monitor enables rapid analysis of the IDpro device's inputs and outputs. A diagnostic monitor instantly visualizes the effects of parameter changes

Operation with PC

Same user interface for all devices

- SOPAS ET provides greater flexibility – the cross-platform tool for all SICK devices
- Standardized IDpro data output format with innovative data handling: the sorter, filter, and output formatter transfer the data to the controller in the desired format



Brief description	Part no.
-------------------	----------

Connection cables 12-pin (CLV62x-65x, RFH620) to CDB620/CDF600/CDF600-2/CDM420

Cable, M12, 12-pin, to CDX 15-pin D-sub HD, 0.9 m (female/male connector)	2042916
Cable, M12, 12-pin, to CDX 15-pin D-sub HD, 2 m (female/male connector)	2041834
Cable, M12, 12-pin, to CDX 15-pin D-sub HD, 3 m (female/male connector)	2042914
Cable, M12, 12-pin, to CDX 15-pin D-sub HD, 5 m (female/male connector)	2042915
Cable, M12, 12-pin, to CDX 15-pin D-sub HD, drag-chain compliant, 3 m (female/male connector)	2061604
Cable, M12 12-pin, to open end, 5 m (female connector/open end)	6034605
Cable, M12 12-pin, to open end, drag-chain compliant, 5 m (female connector/open end)	6045140

Connection cables 17-pin (LECTOR®62x, RFH630, RFU63x, CLV69x) to CDB620/CDF600/CDF600-2/CDM420

Cable, M12, 17-pin, to CDX 15-pin D-sub HD, 0.35 m (female/male connector)	2056184
Cable, M12, 17-pin, to CDX 15-pin D-sub HD, 0.9 m (female/male connector)	2049764
Cable, M12, 17-pin, to CDX 15-pin D-sub HD, 2 m (female/male connector)	2055419
Cable, M12, 17-pin, to CDX 15-pin D-sub HD, 3 m (female/male connector)	2055420
Cable, M12, 17-pin, to CDX 15-pin D-sub HD, 5 m (female/male connector)	2055859
Cable, M12, 17-pin, to CDX 15-pin D-sub HD, drag-chain compliant, 3 m (female/male connector)	2061605
Cable, M12 17-pin, to open end, 5 m (female connector/open end) ¹⁾	6042772
Cable, M12 17-pin, to open end, 3 m (female connector/open end) ¹⁾	6042773
Cable, M12 17-pin, to open end, 2-pin, 10 m (female connector/open end)	6048319

¹⁾ Not suitable for RFU63x, CLV69x.



Ethernet TCP/IP 



EtherNet/IP 



EtherCAT® 



PROFINET IO 



PROFIBUS DP 



CAN/CANopen  



Function blocks 



Connection cables M12, 17-pin ECOLAB (LECTOR®62x, RFH630, RFU63x, CLV69x, CLV6 series IP 69K) to CDB620/CDB650

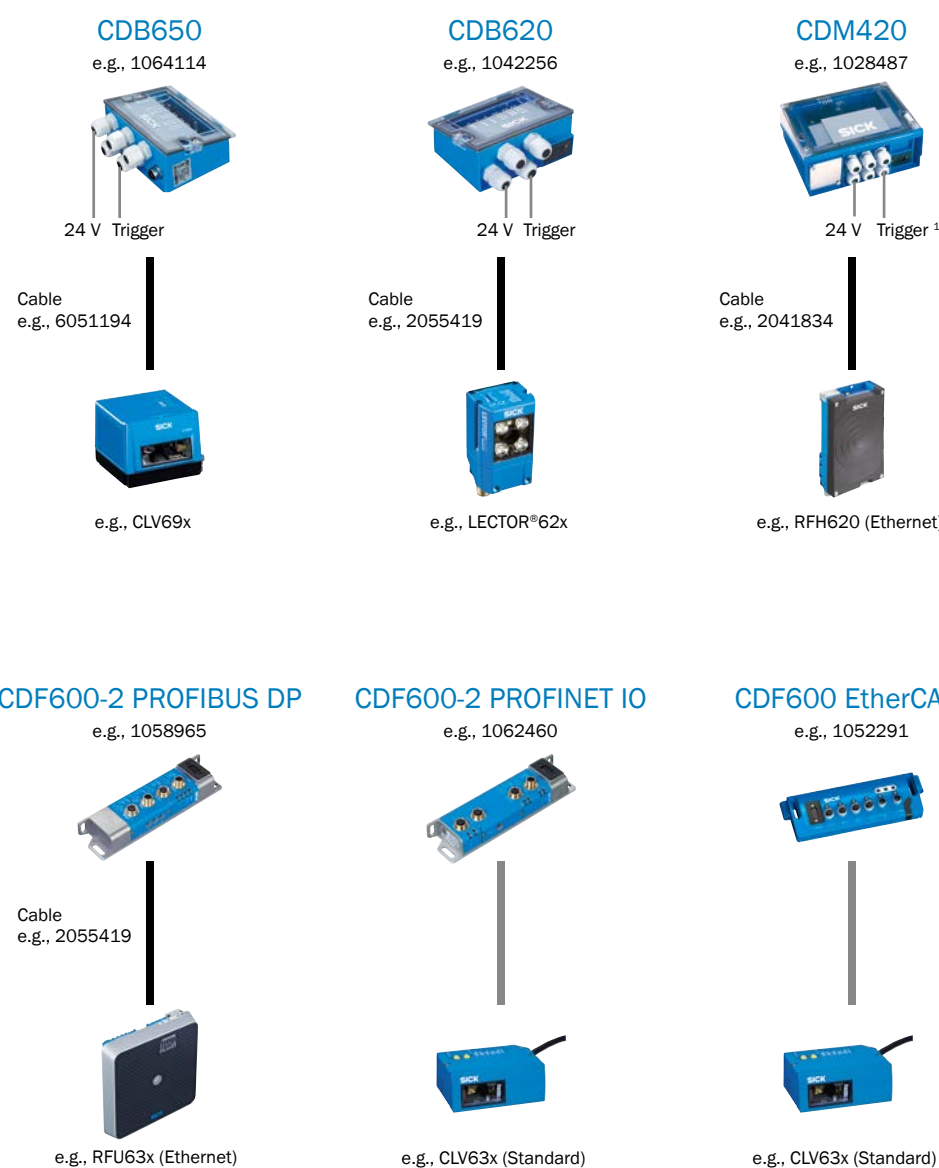
Cable, M12 17-pin, to open end, 3 m, ECOLAB, drag-chain compliant	2070425
Cable, M12 17-pin, to open end, 5 m, ECOLAB, drag-chain compliant	2070426
Cable, M12 17-pin, to open end, 10 m, ECOLAB, drag-chain compliant	2070427
Cable, M12 17-pin, CDB650, (female/male connector), 3 m, ECOLAB, drag-chain compliant	6051194
Cable, M12 17-pin, CDB650, (female/male connector), 5 m, ECOLAB, drag-chain compliant	6051195

IDpro connects – Modular Connectivity from a Single Source

SICK connectivity means that SICK devices can be easily connected to other devices in your system, regardless of the automatic identification technology selected. These devices enable easy integration of fieldbus gateways into the modular connection boxes, making it possible to incorporate the scanner, camera, or RFID system into different fieldbus technologies. A fieldbus proxy, external parameter memory, plus display and power modules provide a high degree of application flexibility.

Your benefits

- Easy to integrate into industrial machines, even when space is limited
- Connects to numerous fieldbus technologies, providing increased flexibility
- Integrated connection diagrams simplify mounting
- Easy access to the connection module, allowing the device to be “embedded” in the system



¹⁾ e.g., WL18-3

CDB620/CDB650 – Connection Device Basic

For the industrially compliant connection of one IDpro sensor; provides the base for a CMC600 parameter cloning module

CDM420 – Connection Device Modular

For the industrially compliant connection of up to two IDpro sensors; provides the base for the CMC600 parameter cloning module, CMP400/CMP490 power module, and CMD400 display module

CDF600/CDF600-2 – Connection Device Fieldbus

For the industrially compliant connection of one IDpro sensor to a PROFIBUS DP /PROFINET IO or EtherCAT® fieldbus

CMC600 – Connection Module Cloning

For easy setup of a network thanks to automatic parameter cloning and assignment of device ID in combination with CDB620/CDB650/CDM420

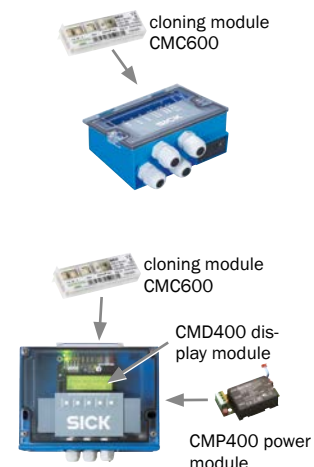


Illustration may differ

Brief description	Model name	Part no.
Connection Device Basic CDB620/CDB650		
Small connection module for one sensor, 4 PG connectors, basic unit for CMC600	CDB620-001	1042256
Small connection module for one sensor, 2 PG connectors, 2 x M12 male/female connector for CAN, basic unit for CMC600	CDB620-101	1042257
Small connection module for one sensor, 5 PG connectors, basic unit for CMC600	CDB620-201	1042258
Basic connection module for one sensor, 2 A fuses, RS-232 sensor interface via M12, 17-pin	CDB650-204	1064114
Connection Device Modular CDM420		
Modular connection module for one sensor	CDM420-0001	1025362
Modular connection module for two sensors	CDM420-0004	1028487
Modular connection module for one sensor, 2 A fuse	CDM420-0006	1058634
Modular connection module for two sensors, 2 A fuse	CDM420-0007	1060324
Modular connection module for one sensor, Host and AUX interface available on face plate	CDM420-0101	1025364
Kit: Modular connection module for one sensor, Host and AUX interface available on face plate, CMP400 power supply, US power cord	CDM420-0102	1026220
Kit: Modular connection module for one sensor, 2 A fuse, Host and AUX interface available on face plate, CMP490 power supply, US power cord	CDM420-0108	1064248
Connection Device Fieldbus CDF600/CDF600-2		
Fieldbus proxy/gateway for connecting an identification sensor to PROFIBUS DP networks (PROFIBUS interface 2 x M12, male/female connector, 5-pin)	CDF600-2100	1058965
Fieldbus proxy/gateway for connecting an identification sensor to PROFIBUS DP networks (PROFIBUS interface 1 x D-sub, female connector, 9-pin)	CDF600-2103	1058966
Fieldbus proxy/gateway for connecting an identification sensor to PROFIBUS IO networks (interface 2 x M12, female/female connector, 4-pin)	CDF600-2200	1062460
Fieldbus proxy/gateway for connecting an identification sensor to PROFIBUS IO networks (interface 2 x AIDA RJ45 female/female connector)	CDF600-2201	1063390
CDF600 fieldbus proxy for connecting CLV62x-65x, RFH6xx, LECTOR®62x to EtherCAT® networks	CDF600-0300	1052291

Brief description	Part no.
Connection cables 12-pin (CLV62x-65x, RFH620) to CDB620/CDF600/CDF600-2/CDM420	
Cable, M12, 12-pin, to CDX 15-pin D-sub HD, 0.9 m (female/male connector)	2042916
Cable, M12, 12-pin, to CDX 15-pin D-sub HD, 2 m (female/male connector)	2041834
Cable, M12, 12-pin, to CDX 15-pin D-sub HD, 3 m (female/male connector)	2042914
Cable, M12, 12-pin, to CDX 15-pin D-sub HD, 5 m (female/male connector)	2042915
Cable, M12, 12-pin, to CDX 15-pin D-sub HD, drag-chain compliant, 3 m (female/male connector)	2061604
Cable, M12 12-pin, to open end, 5 m (female connector/open end)	6034605
Cable, M12 12-pin, to open end, drag-chain compliant, 5 m (female connector/open end)	6045140

Connection cables 17-pin (LECTOR®62x, RFH630, RFU63x, CLV69x) to CDB620/CDF600/CDF600-2/CDM420	
Cable, M12, 17-pin, to CDx 15-pin D-sub HD, 0.35 m (female/male connector)	2056184
Cable, M12, 17-pin, to CDx 15-pin D-sub HD, 0.9 m (female/male connector)	2049764
Cable, M12, 17-pin, to CDx 15-pin D-sub HD, 2 m (female/male connector)	2055419
Cable, M12, 17-pin, to CDx 15-pin D-sub HD, 3 m (female/male connector)	2055420
Cable, M12, 17-pin, to CDx 15-pin D-sub HD, 5 m (female/male connector)	2055859
Cable, M12, 17-pin, to CDx 15-pin D-sub HD, drag-chain compliant, 3 m (female/male connector)	2061605
Cable, M12 17-pin, to open end, 5 m (female connector/open end) ¹⁾	6042772
Cable, M12 17-pin, to open end, 3 m (female connector/open end) ¹⁾	6042773
Cable, M12 17-pin, to open end, 2-pin, 10 m (female connector/open end)	6048319

¹⁾ Not suitable for RFU63x, CLV69x.

Connection cables M12, 17-pin ECOLAB (LECTOR®62x, RFH630, RFU63x, CLV69x, CLV6 series IP 69K) to CDB620/CDB650	
Cable, M12 17-pin, to open end, 3 m, ECOLAB, drag-chain compliant	2070425
Cable, M12 17-pin, to open end, 5 m, ECOLAB, drag-chain compliant	2070426
Cable, M12 17-pin, to open end, 10 m, ECOLAB, drag-chain compliant	2070427
Cable, M12 17-pin, CDB650, (female/male connector), 3 m, ECOLAB, drag-chain compliant	6051194
Cable, M12 17-pin, CDB650, (female/male connector), 5 m, ECOLAB, drag-chain compliant	6051195



Ethernet TCP/IP on board

IDpro devices are available as Ethernet versions

- M12 female connector for Ethernet interface
- M12 male connector for power supply, triggering, host and auxiliary interfaces, and CAN bus
- Basic protocol: Ethernet TCP/IP



Your benefits

- Ethernet TCP/IP on board reduces costs because no additional Ethernet gateway is needed
- Secure investment: future industrial Ethernet protocols can be imported via software

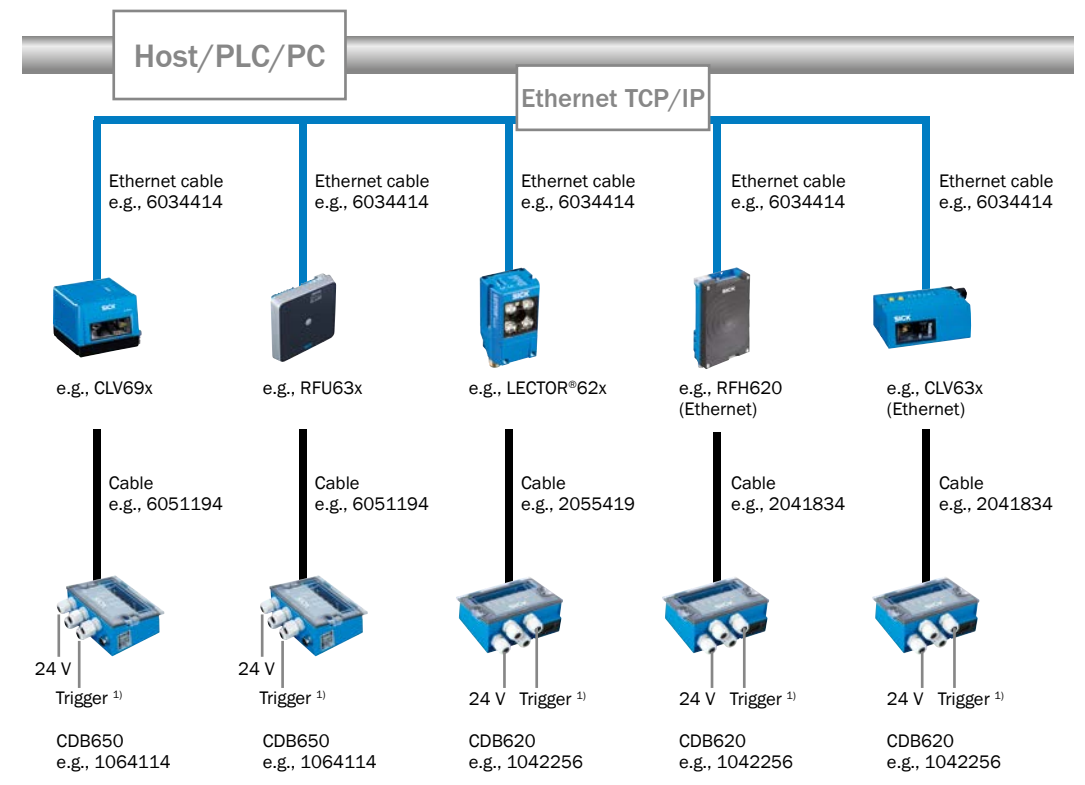


Illustration may differ

¹⁾ e.g., WL18-3

Brief description	Model name	Part no.
Connection Device Basic CDB620/CDB650		
Small connection module for one sensor, 4 PG connectors, basic unit for CMC600	CDB620-001	1042256
Small connection module for one sensor, 5 PG connectors, basic unit for CMC600	CDB620-201	1042258
Basic connection module for one sensor, 2 A fuses, RS-232 sensor interface via M12, 17-pin	CDB650-204	1064114
Connection Device Modular CDM420		
Modular connection module for one sensor	CDM420-0001	1025362
Modular connection module for two sensors	CDM420-0004	1028487
Modular connection module for one sensor, 2 A fuse	CDM420-0006	1058634
Modular connection module for two sensors, 2 A fuse	CDM420-0007	1060324
Kit: Modular connection module for one sensor, 2 A fuse, Host and AUX interface available on face plate, CMP490 power supply, US power cord	CDM420-0108	1064248
Modular connection module for one sensor, Host and AUX interface available on face plate	CDM420-0101	1025364

Recommended accessories for CDB620/CDB650/CDM420

Modules	Model name	Part no.
External parameter memory for integration in CDB620/CDM420/CDB650	CMC600-101	1042259
Plug connectors and cables		
Data connection cable (RS-232) for PC, 3 m, with 2 x 9-pin D-sub female connector		2014045

Brief description	Part no.
M12 4-pin, Ethernet to Host RJ45, (male/male connector)	
Cable, M12 4-pin, Ethernet to Host RJ45, 2 m (male/male connector)	6034414
Cable, M12 4-pin, Ethernet to Host RJ45, 3 m (male/male connector)	6044400
Cable, M12 4-pin, Ethernet to Host RJ45, 5 m (male/male connector)	6034415
Cable, M12 4-pin, Ethernet to Host RJ45, 10 m (male/male connector)	6030928
Cable, M12 4-pin, Ethernet to Host RJ45, 20 m (male/male connector)	6036158
M12 4-pin, Ethernet to Host RJ45 (male/male connector); drag-chain compliant, deep-freeze compliant, ECOLAB	
Cable, M12 4-pin, Ethernet to Host RJ45, ECOLAB, 2 m (male/male connector)	6050198
Cable, M12 4-pin, Ethernet to Host RJ45, ECOLAB, 3 m (male/male connector)	6050199
Cable, M12 4-pin, Ethernet to Host RJ45, ECOLAB, 5 m (male/male connector)	6050200
Cable, M12 4-pin, Ethernet to Host RJ45, ECOLAB, 10 m (male/male connector)	6050201
Cable, M12 4-pin, Ethernet to Host RJ45, ECOLAB, 20 m (male/male connector)	6050596

Brief description	Part no.
M12 4-pin, Ethernet to Host M12 4-pin (male/male connector)	
Cable, M12 4-pin, Ethernet to Host M12 4-pin, 2 m (male/male connector)	6034420
Cable, M12 4-pin, Ethernet to Host M12 4-pin, 3 m (male/male connector)	6034421
Cable, M12 4-pin, Ethernet to Host M12 4-pin, 5 m (male/male connector)	6034422

Brief description	Part no.
Connection cables 12-pin (CLV62x-65x, RFH620) to CDB620/CDF600/CDF600-2/CDM420	
Cable, M12, 12-pin, to CDx 15-pin D-sub HD, 0.9 m (female/male connector)	2042916
Cable, M12, 12-pin, to CDx 15-pin D-sub HD, 2 m (female/male connector)	2041834
Cable, M12, 12-pin, to CDx 15-pin D-sub HD, 3 m (female/male connector)	2042914
Cable, M12, 12-pin, to CDx 15-pin D-sub HD, 5 m (female/male connector)	2042915
Cable, M12, 12-pin, to CDx 15-pin D-sub HD, drag-chain compliant, 3 m (female/male connector)	2061604
Cable, M12 12-pin, to open end, 5 m (female connector/open end)	6034605
Cable, M12 12-pin, to open end, drag-chain compliant, 5 m (female connector/open end)	6045140

Brief description	Part no.
Connection cables 17-pin (LECTOR®62x, RFH630, RFU63x, CLV69x) to CDB620/CDF600/CDF600-2/CDM420	
Cable, M12, 17-pin, to CDx 15-pin D-sub HD, 0.35 m (female/male connector)	2056184
Cable, M12, 17-pin, to CDx 15-pin D-sub HD, 0.9 m (female/male connector)	2049764
Cable, M12, 17-pin, to CDx 15-pin D-sub HD, 2 m (female/male connector)	2055419
Cable, M12, 17-pin, to CDx 15-pin D-sub HD, 3 m (female/male connector)	2055420
Cable, M12, 17-pin, to CDx 15-pin D-sub HD, 5 m (female/male connector)	2055859
Cable, M12, 17-pin, to CDx 15-pin D-sub HD, drag-chain compliant, 3 m (female/male connector)	2061605
Cable, M12 17-pin, to open end, 5 m (female connector/open end) ¹⁾	6042772
Cable, M12 17-pin, to open end, 3 m (female connector/open end) ¹⁾	6042773
Cable, M12 17-pin, to open end, 2-pin, 10 m (female connector/open end)	6048319

¹⁾ Not suitable for RFU63x, CLV69x.

Brief description	Part no.
Connection cables M12, 17-pin ECOLAB (LECTOR®62x, RFH630, RFU63x, CLV69x, CLV6 series IP 69K) to CDB620/CDB650	
Cable, M12 17-pin, to open end, 3 m, ECOLAB, drag-chain compliant	2070425
Cable, M12 17-pin, to open end, 5 m, ECOLAB, drag-chain compliant	2070426
Cable, M12 17-pin, to open end, 10 m, ECOLAB, drag-chain compliant	2070427
Cable, M12 17-pin, CDB650, (female/male connector), 3 m, ECOLAB, drag-chain compliant	6051194
Cable, M12 17-pin, CDB650, (female/male connector), 5 m, ECOLAB, drag-chain compliant	6051195



Ethernet TCP/IP on board

EtherNet/IP = EtherNet Industrial Protocol

EtherNet/IP is an open network protocol, which is based on the IEEE802.3 standard. It supports the established protocols within the TCP/IP family and expands the controlling applications through the addition of the Control and Information Protocol (CIP). The CIP functions as a real-time input/output protocol.

The CIP application protocol is independent of other networks and can be transmitted to different networks.

Today, the main application area for EtherNet/IP is industrial manufacturing automation in the USA and Asia, where it is used for communication tasks involving Rockwell Automation's Allen-Bradley-brand control systems (PLCs) and Omron control systems (PLCs).

Thanks to Ethernet on board with the integrated EtherNet/IP protocol, no external Ethernet gateway is needed for IDpro devices.

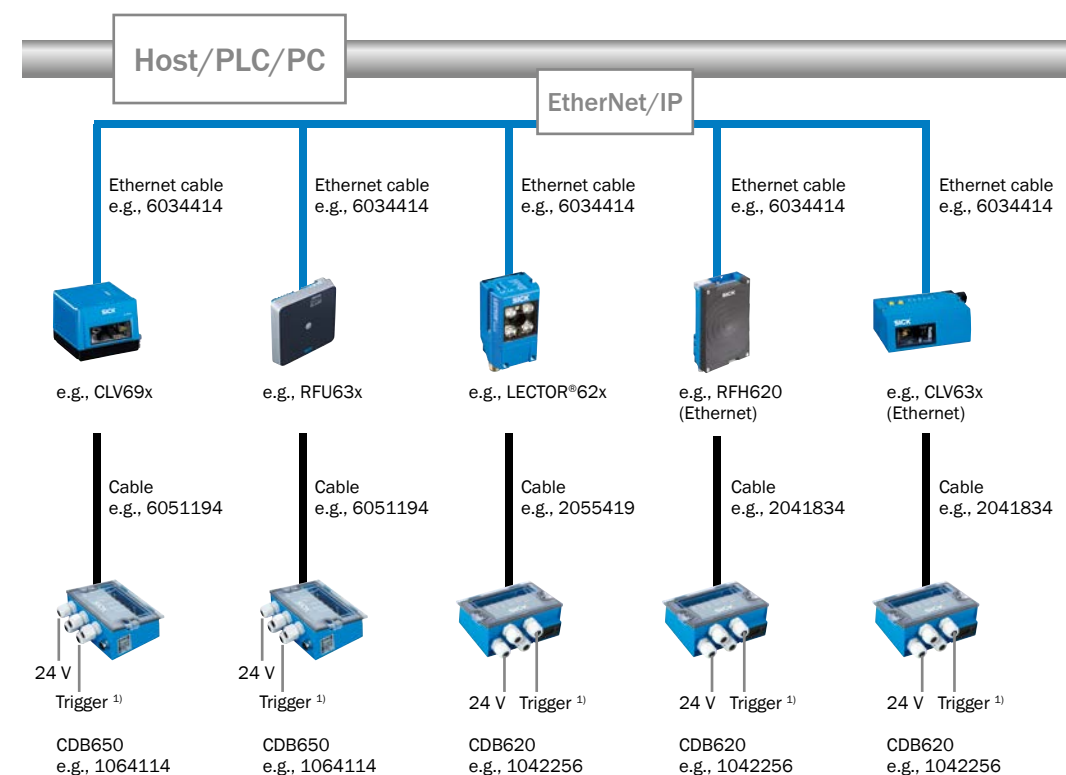


Illustration may differ

¹⁾ e.g., WL18-3



Brief description	Model name	Part no.
Connection Device Basic CDB620/CDB650		
Small connection module for one sensor, 4 PG connectors, basic unit for CMC600	CDB620-001	1042256
Small connection module for one sensor, 5 PG connectors, basic unit for CMC600	CDB620-201	1042258
Basic connection module for one sensor, 2 A fuses, RS-232 sensor interface via M12, 17-pin	CDB650-204	1064114
Connection Device Modular CDM420		
Modular connection module for one sensor	CDM420-0001	1025362
Modular connection module for two sensors	CDM420-0004	1028487
Modular connection module for one sensor, 2 A fuse	CDM420-0006	1058634
Modular connection module for two sensors, 2 A fuse	CDM420-0007	1060324
Kit: Modular connection module for one sensor, 2 A fuse, Host and AUX interface available on face plate, CMP490 power supply, US power cord	CDM420-0108	1064248
Modular connection module for one sensor, Host and AUX interface available on face plate	CDM420-0101	1025364

Recommended accessories for CDB620/CDB650/CDM420

Modules

External parameter memory for integration in CDB620/CDM420/CDB650	CMC600-101	1042259
---	------------	---------

Plug connectors and cables

Data connection cable (RS-232) for PC, 3 m, with 2 x 9-pin D-sub female connector	2014045
---	---------

Brief description	Part no.
M12 4-pin, Ethernet to Host RJ45, (male/male connector)	
Cable, M12 4-pin, Ethernet to Host RJ45, 2 m (male/male connector)	6034414
Cable, M12 4-pin, Ethernet to Host RJ45, 3 m (male/male connector)	6044400
Cable, M12 4-pin, Ethernet to Host RJ45, 5 m (male/male connector)	6034415
Cable, M12 4-pin, Ethernet to Host RJ45, 10 m (male/male connector)	6030928
Cable, M12 4-pin, Ethernet to Host RJ45, 20 m (male/male connector)	6036158
M12 4-pin, Ethernet to Host RJ45 (male/male connector); drag-chain compliant, deep-freeze compliant, ECOLAB	
Cable, M12 4-pin, Ethernet to Host RJ45, ECOLAB, 2 m (male/male connector)	6050198
Cable, M12 4-pin, Ethernet to Host RJ45, ECOLAB, 3 m (male/male connector)	6050199
Cable, M12 4-pin, Ethernet to Host RJ45, ECOLAB, 5 m (male/male connector)	6050200
Cable, M12 4-pin, Ethernet to Host RJ45, ECOLAB, 10 m (male/male connector)	6050201
Cable, M12 4-pin, Ethernet to Host RJ45, ECOLAB, 20 m (male/male connector)	6050596

M12 4-pin, Ethernet to Host M12 4-pin (male/male connector)

Cable, M12 4-pin, Ethernet to Host M12 4-pin, 2 m (male/male connector)	6034420
Cable, M12 4-pin, Ethernet to Host M12 4-pin, 3 m (male/male connector)	6034421
Cable, M12 4-pin, Ethernet to Host M12 4-pin, 5 m (male/male connector)	6034422

Brief description	Part no.
Connection cables 12-pin (CLV62x-65x, RFH620) to CDB620/CDF600/CDF600-2/CDM420	
Cable, M12, 12-pin, to CDx 15-pin D-sub HD, 0.9 m (female/male connector)	2042916
Cable, M12, 12-pin, to CDx 15-pin D-sub HD, 2 m (female/male connector)	2041834
Cable, M12, 12-pin, to CDx 15-pin D-sub HD, 3 m (female/male connector)	2042914
Cable, M12, 12-pin, to CDx 15-pin D-sub HD, 5 m (female/male connector)	2042915
Cable, M12, 12-pin, to CDx 15-pin D-sub HD, drag-chain compliant, 3 m (female/male connector)	2061604
Cable, M12 12-pin, to open end, 5 m (female connector/open end)	6034605
Cable, M12 12-pin, to open end, drag-chain compliant, 5 m (female connector/open end)	6045140

Connection cables 17-pin (LECTOR®62x, RFH630, RFU63x, CLV69x) to CDB620/CDF600/CDF600-2/CDM420

Cable, M12, 17-pin, to CDx 15-pin D-sub HD, 0.35 m (female/male connector)	2056184
Cable, M12, 17-pin, to CDx 15-pin D-sub HD, 0.9 m (female/male connector)	2049764
Cable, M12, 17-pin, to CDx 15-pin D-sub HD, 2 m (female/male connector)	2055419
Cable, M12, 17-pin, to CDx 15-pin D-sub HD, 3 m (female/male connector)	2055420
Cable, M12, 17-pin, to CDx 15-pin D-sub HD, 5 m (female/male connector)	2055859
Cable, M12, 17-pin, to CDx 15-pin D-sub HD, drag-chain compliant, 3 m (female/male connector)	2061605
Cable, M12 17-pin, to open end, 5 m (female connector/open end) ¹⁾	6042772
Cable, M12 17-pin, to open end, 3 m (female connector/open end) ¹⁾	6042773
Cable, M12 17-pin, to open end, 2-pin, 10 m (female connector/open end)	6048319

¹⁾ Not suitable for RFU63x, CLV69x.

Connection cables M12, 17-pin ECOLAB (LECTOR®62x, RFH630, RFU63x, CLV69x, CLV6 series IP 69K) to CDB620/CDB650

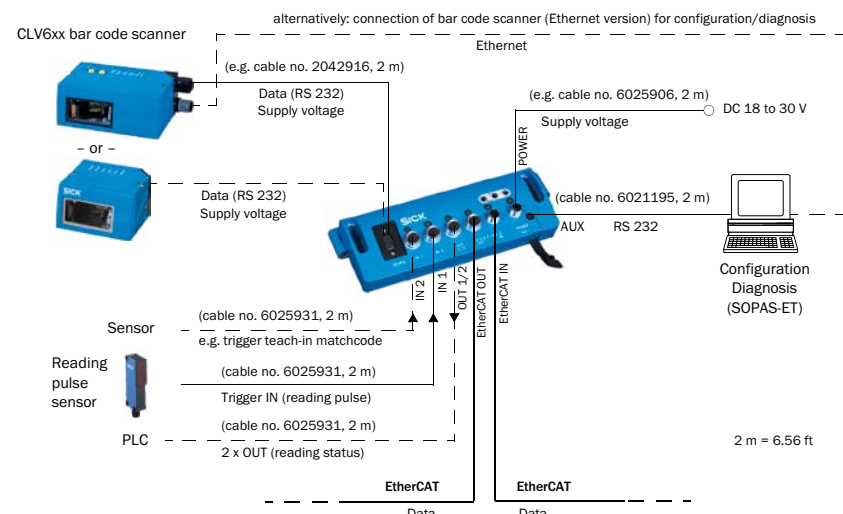
Cable, M12 17-pin, to open end, 3 m, ECOLAB, drag-chain compliant	2070425
Cable, M12 17-pin, to open end, 5 m, ECOLAB, drag-chain compliant	2070426
Cable, M12 17-pin, to open end, 10 m, ECOLAB, drag-chain compliant	2070427
Cable, M12 17-pin, CDB650, (female/male connector), 3 m, ECOLAB, drag-chain compliant	6051194
Cable, M12 17-pin, CDB650, (female/male connector), 5 m, ECOLAB, drag-chain compliant	6051195

EtherCAT® via CDF600

EtherCAT® = Ethernet for Control Automation Technology

EtherCAT® is a fieldbus that is based on industrial Ethernet. The driving force behind it is Beckhoff Automation GmbH, Germany. It was developed for automation applications with very fast cycle times ($\leq 100 \mu\text{s}$).

EtherCAT® needs special hardware, which is supported by the CDF600-0300.



EtherCAT® is a registered trademark and patented technology, licensed by Beckhoff Automation GmbH

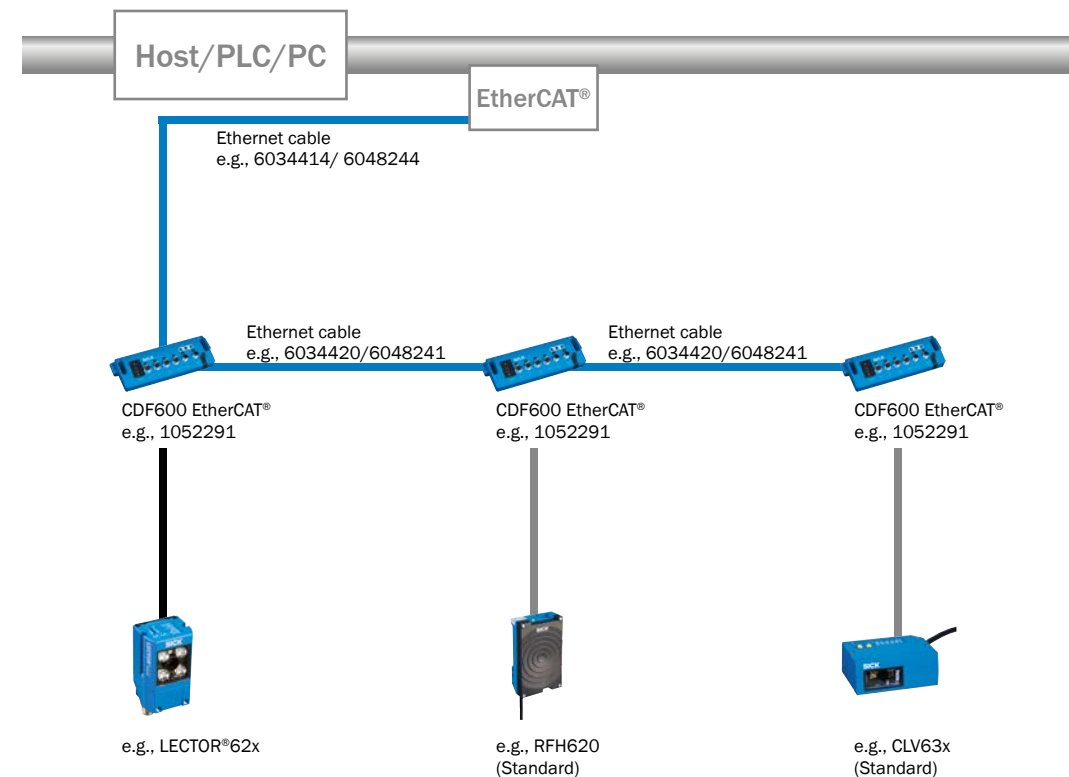


Illustration may differ

Availability of EtherCAT® for RFU63x, CLV69x on request

Brief description	Model name	Part no.
Connection Device Fieldbus CDF600 EtherCAT®		
CDF600 fieldbus proxy for connecting CLV62x-65x, RFH6xx, LECTOR®62x to EtherCAT® networks	CDF600-0300	1052291
Recommended accessories for CDF600 EtherCAT®		
Device protection (mechanical)		
Cover for code switches of CDF600 as protection against manipulation, incl. 2 fixing screws		2052296
Plug connectors and cables		
Power supply cable, angled, M12 5-pin, female connector/open end, screened	1.5 m	6049455
	3 m	6049456
	5 m	6049457
	10 m	6049458
	Power supply cable, straight, M12 5-pin, female connector/open end, screened, 5 m	
Cable for digital I/Os. M12 5-pin female/male connector		6025931
Cable for digital I/Os with 5-pin M12 male connector (straight)/open end, 2 m		6026133
Parameter setting cable for PC connection (9-pin sub-D) to CDF600 (4-pin M8), 2 m (female/male connector)		6021195
Parameter setting cable for PC connection (9-pin sub-D) to CDF600 (4-pin M8), 10 m (female/male connector)		2027649

Brief description	Part no.	
Ethernet cables for EtherCAT®		
Cable, M12 4-pin, EtherCAT® to Host M12 4-pin, straight (male/male connector)	2 m	6048241
	5 m	6048242
	10 m	6048243
Cable, M12 4-pin, straight, EtherCAT® to Host RJ45, straight (male/male connector)	2 m	6048244
	5 m	6048245
	10 m	6048246
Cable, M12 4-pin, EtherCAT®, straight, to open end	2 m	6048247
	5 m	6048248
	10 m	6048249
Cable, M12 4-pin, straight, EtherCAT® to Host M12 4-pin, angled (male/male connector)	2 m	6048250
	5 m	6048251
	10 m	6048252
Cable, M12 4-pin, angled, EtherCAT® to Host RJ45, straight (male/male connector)	2 m	6048253
	5 m	6048254
	10 m	6048255
Cable, M12 4-pin, EtherCAT®, angled, to open end	2 m	6048256
	5 m	6048257
	10 m	6048258
Cable, M12 4-pin, angled, EtherCAT® to Host M12 4-pin, angled (male/male connector)	2 m	6048259
	5 m	6050635
	10 m	6050636
Cable, M12 4-pin, angled, EtherCAT® to Host M12 4-pin, angled (male/male connector)	2 m	6050637
	5 m	6050638
	10 m	6050639
Male connector M12 4-pin, D-coded, straight, can be wired		6048261
Female connector M12 4-pin, D-coded, straight, can be wired		6048263
Male connector M12 4-pin, D-coded, angled, can be wired		6048262
Female connector M12 4-pin, D-coded, angled, can be wired		6048264
RJ45 male connector, straight, can be wired		6048260

Connection cables

Brief description	Part no.
Connection cables 12-pin (CLV62x-65x, RFH620) to CDB620/CDF600/CDF600-2/CDM420	
Cable, M12, 12-pin, to CDX 15-pin D-sub HD, 0.9 m (female/male connector)	2042916
Cable, M12, 12-pin, to CDX 15-pin D-sub HD, 2 m (female/male connector)	2041834
Cable, M12, 12-pin, to CDX 15-pin D-sub HD, 3 m (female/male connector)	2042914
Cable, M12, 12-pin, to CDX 15-pin D-sub HD, 5 m (female/male connector)	2042915
Cable, M12, 12-pin, to CDX 15-pin D-sub HD, drag-chain compliant, 3 m (female/male connector)	2061604
Cable, M12 12-pin, to open end, 5 m (female connector/open end)	6034605
Cable, M12 12-pin, to open end, drag-chain compliant, 5 m (female connector/open end)	6045140
Connection cables 17-pin (LECTOR®62x, RFH630, RFU63x, CLV69x) to CDB620/CDF600/CDF600-2/CDM420	
Cable, M12, 17-pin, to CDX 15-pin D-sub HD, 0.35 m (female/male connector)	2056184
Cable, M12, 17-pin, to CDX 15-pin D-sub HD, 0.9 m (female/male connector)	2049764
Cable, M12, 17-pin, to CDX 15-pin D-sub HD, 2 m (female/male connector)	2055419
Cable, M12, 17-pin, to CDX 15-pin D-sub HD, 3 m (female/male connector)	2055420
Cable, M12, 17-pin, to CDX 15-pin D-sub HD, 5 m (female/male connector)	2055859
Cable, M12, 17-pin, to CDX 15-pin D-sub HD, drag-chain compliant, 3 m (female/male connector)	2061605
Cable, M12 17-pin, to open end, 5 m (female connector/open end) ¹⁾	6042772
Cable, M12 17-pin, to open end, 3 m (female connector/open end) ¹⁾	6042773
Cable, M12 17-pin, to open end, 2-pin, 10 m (female connector/open end)	6048319

¹⁾ Not suitable for RFU63x, CLV69x.

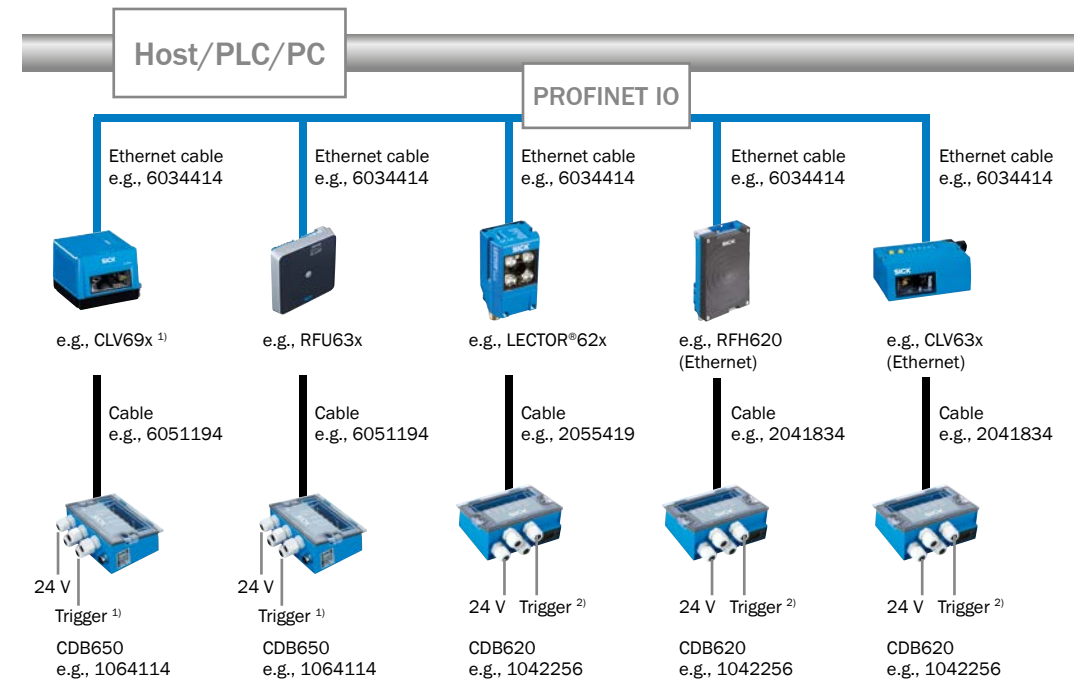
Connection cables M12, 17-pin ECOLAB (LECTOR®62x, RFH630, RFU63x, CLV69x, CLV6 series IP 69K) to CDB620/CDB650

Cable, M12 17-pin, to open end, 3 m, ECOLAB, drag-chain compliant	2070425
Cable, M12 17-pin, to open end, 5 m, ECOLAB, drag-chain compliant	2070426
Cable, M12 17-pin, to open end, 10 m, ECOLAB, drag-chain compliant	2070427
Cable, M12 17-pin, CDB650, (female/male connector), 3 m, ECOLAB, drag-chain compliant	6051194
Cable, M12 17-pin, CDB650, (female/male connector), 5 m, ECOLAB, drag-chain compliant	6051195

PROFINET IO = Process Field Network

PROFINET IO is an Ethernet-based fieldbus protocol which uses TCP/IP and IT standards. Siemens is the driving force behind PROFINET IO and it can be regarded as the successor to PROFIBUS. The IDpro sensors are Class B + PROFINET IO slaves.

Single-port PROFINET IO on board



PROFINET IO dual port via CDF600-2

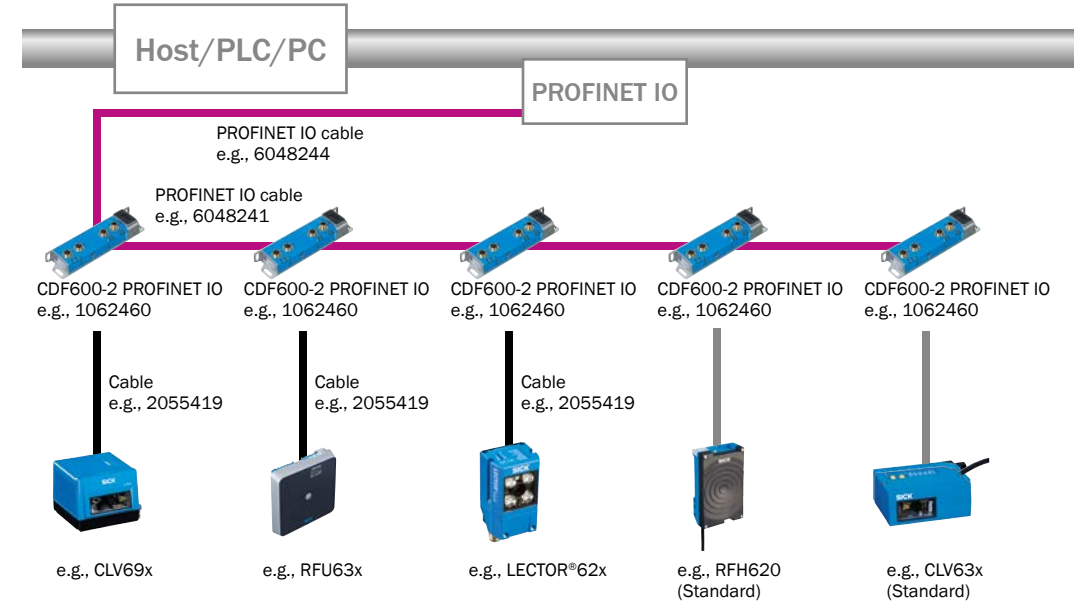


Illustration may differ ¹⁾ On request for CLV69x ²⁾ e.g., WL18-3

Brief description	Model name	Part no.
-------------------	------------	----------

Connection Device Fieldbus CDF600-2 PROFINET IO

Fieldbus proxy/gateway for connecting an identification sensor to PROFIBUS IO networks (interface 2 x M12, female/female connector, 4-pin)	CDF600-2200	1062460
Fieldbus proxy/gateway for connecting an identification sensor to PROFIBUS IO networks (interface 2 x AIDA RJ45 female/female connector)	CDF600-2201	1063390

Recommended accessories for CDF600-2 PROFINET IO

Plug connectors and cables

Power supply cable, angled, M12 5-pin, female connector/open end, screened	1.5 m	6049455
	3 m	6049456
	5 m	6049457
	10 m	6049458
	Power supply cable, straight, M12 5-pin, female connector/open end, screened	5 m
USB cable for configuration via the AUX interface, USB A to USB Micro B (male/male connector)	2 m	6036106
Cable for digital I/Os, M12 5-pin, female/male connector	2 m	6025931
Cable for digital I/Os with 5-pin M12 male connector (straight)/open end	2 m	6026133

Brief description	Part no.
-------------------	----------

PROFINET IO cables

Cable, M12 4-pin, PROFINET IO to Host M12 4-pin, straight (male/male connector)	2 m	6048241
	5 m	6048242
	10 m	6048243
Cable, M12 4-pin, straight, PROFINET IO to Host RJ45, straight (male/male connector)	2 m	6048244
	5 m	6048245
	10 m	6048246
Cable, M12 4-pin, PROFINET IO, straight, to open end	2 m	6048247
	5 m	6048248
	10 m	6048249
Cable, M12 4-pin, straight, PROFINET IO to Host M12 4-pin, angled (male/male connector)	2 m	6048250
	5 m	6048251
	10 m	6048252
Cable, M12 4-pin, angled, PROFINET IO to Host RJ45, straight (male/male connector)	2 m	6048253
	5 m	6048254
	10 m	6048255
Cable, M12 4-pin, PROFINET IO, angled, to open end	2 m	6048256
	5 m	6048257
	10 m	6048258
Cable, M12 4-pin, angled, PROFINET IO to Host M12 4-pin, angled (male/male connector)	25 m	6048259
	2 m	6050635
	5 m	6050636
Male connector M12 4-pin, D-coded, straight, can be wired	10 m	6050637
	Female connector M12 4-pin, D-coded, straight, can be wired	6048261
	Male connector M12 4-pin, D-coded, angled, can be wired	6048263
Female connector M12 4-pin, D-coded, angled, can be wired	6048262	
	RJ45 male connector, straight, can be wired	6048264
	6048260	

Brief description	Part no.
-------------------	----------

Connection cables 12-pin (CLV62x-65x, RFH620) to CDB620/CDF600/CDF600-2/CDM420

Cable, M12, 12-pin, to CDX 15-pin D-sub HD, 0.9 m (female/male connector)	2042916
Cable, M12, 12-pin, to CDX 15-pin D-sub HD, 2 m (female/male connector)	2041834
Cable, M12, 12-pin, to CDX 15-pin D-sub HD, 3 m (female/male connector)	2042914
Cable, M12, 12-pin, to CDX 15-pin D-sub HD, 5 m (female/male connector)	2042915
Cable, M12, 12-pin, to CDX 15-pin D-sub HD, drag-chain compliant, 3 m (female/male connector)	2061604
Cable, M12 12-pin, to open end, 5 m (female connector/open end)	6034605
Cable, M12 12-pin, to open end, drag-chain compliant, 5 m (female connector/open end)	6045140

Connection cables 17-pin (LECTOR®62x, RFH630, RFU63x, CLV69x) to CDB620/CDF600/CDF600-2/CDM420

Cable, M12, 17-pin, to CDX 15-pin D-sub HD, 0.35 m (female/male connector)	2056184
Cable, M12, 17-pin, to CDX 15-pin D-sub HD, 0.9 m (female/male connector)	2049764
Cable, M12, 17-pin, to CDX 15-pin D-sub HD, 2 m (female/male connector)	2055419
Cable, M12, 17-pin, to CDX 15-pin D-sub HD, 3 m (female/male connector)	2055420
Cable, M12, 17-pin, to CDX 15-pin D-sub HD, 5 m (female/male connector)	2055859
Cable, M12, 17-pin, to CDX 15-pin D-sub HD, drag-chain compliant, 3 m (female/male connector)	2061605
Cable, M12 17-pin, to open end, 5 m (female connector/open end) ¹⁾	6042772
Cable, M12 17-pin, to open end, 3 m (female connector/open end) ¹⁾	6042773
Cable, M12 17-pin, to open end, 2-pin, 10 m (female connector/open end)	6048319

¹⁾ Not suitable for RFU63x, CLV69x.

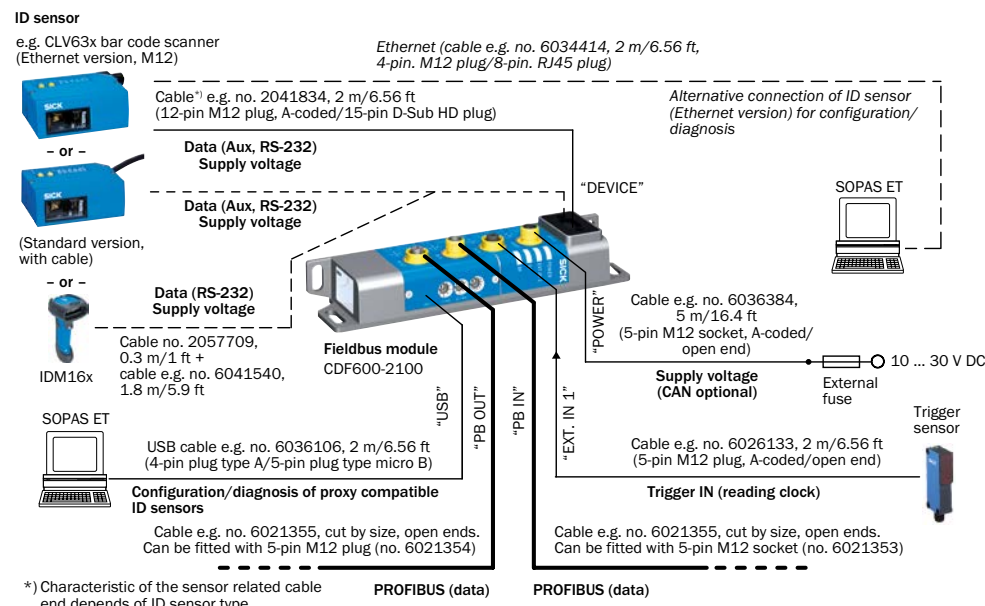
Connection cables M12, 17-pin ECOLAB (LECTOR®62x, RFH630, RFU63x, CLV69x, CLV6 series IP 69K) to CDB620/CDB650

Cable, M12 17-pin, to open end, 3 m, ECOLAB, drag-chain compliant	2070425
Cable, M12 17-pin, to open end, 5 m, ECOLAB, drag-chain compliant	2070426
Cable, M12 17-pin, to open end, 10 m, ECOLAB, drag-chain compliant	2070427
Cable, M12 17-pin, CDB650, (female/male connector), 3 m, ECOLAB, drag-chain compliant	6051194
Cable, M12 17-pin, CDB650, (female/male connector), 5 m, ECOLAB, drag-chain compliant	6051195

PROFIBUS DP via CDF600-2

PROFIBUS DP = Process Fieldbus

PROFIBUS DP is based on an internationally recognized standard and was developed in 1989. PROFIBUS DP (Decentralized Peripherals) is the most commonly used variant of PROFIBUS. It is optimized for distributed IO applications.



Brief description	Model name	Part no.
-------------------	------------	----------

Connection Device Fieldbus CDF600-2 PROFIBUS DP

Fieldbus proxy/gateway for connecting an identification sensor to PROFIBUS DP networks (PROFIBUS DP interface 2 x M12, male/female connector, 5-pin)	CDF600-2100	1058965
Fieldbus proxy/gateway for connecting an identification sensor to PROFIBUS DP networks (PROFIBUS DP interface 1 x D-sub, female connector, 9-pin)	CDF600-2103	1058966

Recommended accessories for CDF600-2 PROFIBUS DP

Plug connectors and cables		
	1.5 m	6049455
	3 m	6049456
Power supply cable, angled, M12 5-pin, female connector/open end, screened	5 m	6049457
	10 m	6049458
Power supply cable, straight, M12 5-pin, female connector/open end, screened	5 m	6036384
USB cable for configuration via the AUX interface, USB A to USB Micro B (male/male connector)	2 m	6036106
Cable for digital I/Os, M12 5-pin, female/male connector	2 m	6025931
Cable for digital I/Os with 5-pin M12 male connector (straight)/open end	2 m	6026133

Brief description	Part no.
-------------------	----------

PROFIBUS DP cables and plug connectors

PROFIBUS DP cable, 2 x 0.34 mm, sold by the meter	6021355
Bus-IN, PROFIBUS DP, M12, 5-pin, B-coded (female connector)	6021353
Bus-OUT, PROFIBUS DP, M12 5-pin, B-coded (male connector)	6021354
PROFIBUS DP terminator, M12 5-pin, B-coded (male connector)	6021156

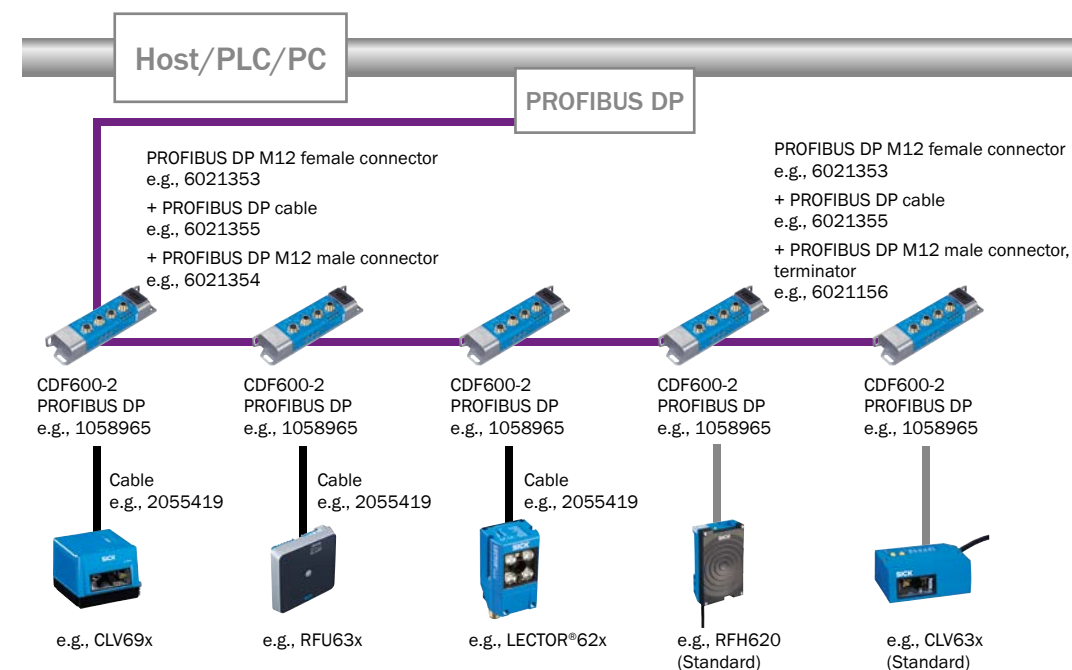


Illustration may differ

Connection cables

Brief description	Part no.
-------------------	----------

Connection cables 12-pin (CLV62x-65x, RFH620) to CDB620/CDF600/CDF600-2/CDM420

Cable, M12, 12-pin, to CDx 15-pin D-sub HD, 0.9 m (female/male connector)	2042916
Cable, M12, 12-pin, to CDx 15-pin D-sub HD, 2 m (female/male connector)	2041834
Cable, M12, 12-pin, to CDx 15-pin D-sub HD, 3 m (female/male connector)	2042914
Cable, M12, 12-pin, to CDx 15-pin D-sub HD, 5 m (female/male connector)	2042915
Cable, M12, 12-pin, to CDx 15-pin D-sub HD, drag-chain compliant, 3 m (female/male connector)	2061604
Cable, M12 12-pin, to open end, 5 m (female connector/open end)	6034605
Cable, M12 12-pin, to open end, drag-chain compliant, 5 m (female connector/open end)	6045140

Connection cables 17-pin (LECTOR®62x, RFH630, RFU63x, CLV69x) to CDB620/CDF600/CDF600-2/CDM420

Cable, M12, 17-pin, to CDx 15-pin D-sub HD, 0.35 m (female/male connector)	2056184
Cable, M12, 17-pin, to CDx 15-pin D-sub HD, 0.9 m (female/male connector)	2049764
Cable, M12, 17-pin, to CDx 15-pin D-sub HD, 2 m (female/male connector)	2055419
Cable, M12, 17-pin, to CDx 15-pin D-sub HD, 3 m (female/male connector)	2055420
Cable, M12, 17-pin, to CDx 15-pin D-sub HD, 5 m (female/male connector)	2055859
Cable, M12, 17-pin, to CDx 15-pin D-sub HD, drag-chain compliant, 3 m (female/male connector)	2061605
Cable, M12 17-pin, to open end, 5 m (female connector/open end) ¹⁾	6042772
Cable, M12 17-pin, to open end, 3 m (female connector/open end) ¹⁾	6042773
Cable, M12 17-pin, to open end, 2-pin, 10 m (female connector/open end)	6048319

¹⁾ Not suitable for RFU63x, CLV69x.

Connection cables M12, 17-pin ECOLAB (LECTOR®62x, RFH630, RFU63x, CLV69x, CLV6 series IP 69K) to CDB620/CDB650

Cable, M12 17-pin, to open end, 3 m, ECOLAB, drag-chain compliant	2070425
Cable, M12 17-pin, to open end, 5 m, ECOLAB, drag-chain compliant	2070426
Cable, M12 17-pin, to open end, 10 m, ECOLAB, drag-chain compliant	2070427
Cable, M12 17-pin, CDB650, (female/male connector), 3 m, ECOLAB, drag-chain compliant	6051194
Cable, M12 17-pin, CDB650, (female/male connector), 5 m, ECOLAB, drag-chain compliant	6051195

SICK CAN Sensor Network (SICK CSN)

The SICK CAN Sensor Network can be used for flexible grouping of multiple SICK IDpro devices. They can be grouped as master/slave or multiplexer/server.

The master filters the results of the slaves and sends a single result to the host. In the multiplexer/server mode, each IDpro device functions separately as a server and the multiplexer sends the unfiltered data from all servers (incl. the device ID of each sensor) to the host. The SICK CSN is based on CANopen but uses only essential CANopen functionality, which makes it very user-friendly.

- Configuration is performed via the intuitive SOPAS ET software
- Max. 32 IDpro sensors within a network
- No CANopen knowledge required
- Master/slave and multiplexer/server modes

CANopen network

The CANopen network is a network for all CANopen-compatible devices.

- Configuration via PC/PLC
- Max. 127 stations within a network
- CANopen knowledge required

Please note: CAN wiring can also be carried out using the standard CDB620-001 (part no. 1042256), CMC600 (part no. 1042259), and CAN cable (part no. 6027048, sold by the meter).

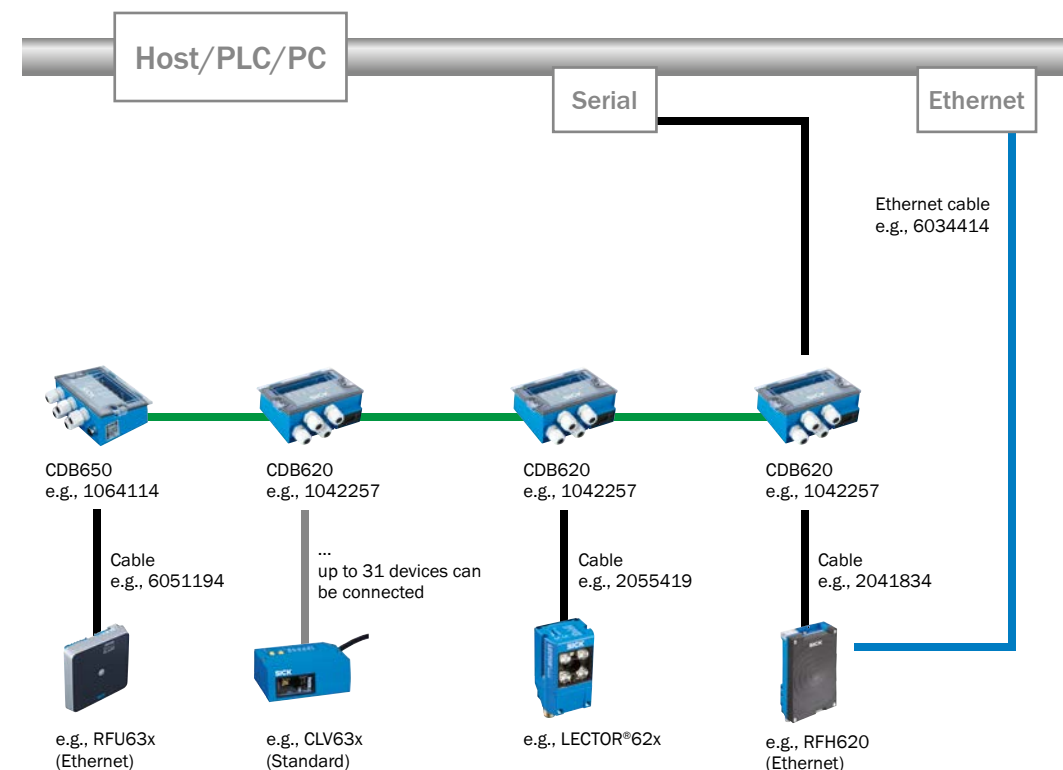


Illustration may differ

Brief description

Model name

Part no.

Connection Device Basic CDB620

Small connection module for one sensor, 4 PG connectors, basic unit for CMC600	CDB620-001	1042256
Small connection module for one sensor, 2 PG connectors, 2 x M12 male/female connector for CAN, basic unit for CMC600 ¹⁾	CDB620-101	1058966
Small connection module for one sensor, 5 PG connectors, basic unit for CMC600	CDB620-201	1042258
Basic connection module for one sensor, 2 A fuses, RS-232 sensor interface via M12, 17-pin	CDB650-204	1064114

¹⁾ Recommended for easy CAN wiring.

Connection Device Modular CDM420

Modular connection module for one sensor	CDM420-0001	1025362
Modular connection module for two sensors	CDM420-0004	1028487
Modular connection module for one sensor, 2 A fuse	CDM420-0006	1058634
Modular connection module for two sensors, 2 A fuse	CDM420-0007	1060324
Kit: Modular connection module for one sensor, 2 A fuse, Host and AUX interface available on face plate, CMP490 power supply, US power cord	CDM420-0108	1064248
Modular connection module for one sensor, Host and AUX interface available on face plate	CDM420-0101	1025364

Recommended accessories for CDB620/CDB650/CDM420

Modules

External parameter memory for integration in CDB620/CDM420/CDB650 ¹⁾	CMC600-101	1042259
---	------------	---------

¹⁾ Recommended for easy configuration of CAN networks.

Plug connectors and cables

Data connection cable (RS-232) for PC, 3 m, with 2 x 9-pin D-sub female connector	2014045
---	---------

Brief description

Part no.

CAN cables

Unitron CAN cable, 2 x 2 x 0.5 mm ² , sold by the meter	6027048
CAN cable, 1 m, M12, 5-pin, male/female connector	6021164
CAN cable, 3 m, M12, 5-pin, male/female connector	6021165
CAN cable, 5 m, M12, 5-pin, male/female connector	6021168
CAN male connector, M12, 5-pin, with terminator	6021167
CAN cable, 5 m, M12, 5-pin, female connector/open end	6021166

Connection cables

Brief description

Part no.

Connection cables 12-pin (CLV62x-65x, RFH620) to CDB620/CDF600/CDF600-2/CDM420

Cable, M12, 12-pin, to CDx 15-pin D-sub HD, 0.9 m (female/male connector)	2042916
Cable, M12, 12-pin, to CDx 15-pin D-sub HD, 2 m (female/male connector)	2041834
Cable, M12, 12-pin, to CDx 15-pin D-sub HD, 3 m (female/male connector)	2042914
Cable, M12, 12-pin, to CDx 15-pin D-sub HD, 5 m (female/male connector)	2042915
Cable, M12, 12-pin, to CDx 15-pin D-sub HD, drag-chain compliant, 3 m (female/male connector)	2061604
Cable, M12 12-pin, to open end, 5 m (female connector/open end)	6034605
Cable, M12 12-pin, to open end, drag-chain compliant, 5 m (female connector/open end)	6045140

Connection cables 17-pin (LECTOR®62x, RFH630, RFU63x, CLV69x) to CDB620/CDF600/CDF600-2/CDM420

Cable, M12, 17-pin, to CDx 15-pin D-sub HD, 0.35 m (female/male connector)	2056184
Cable, M12, 17-pin, to CDx 15-pin D-sub HD, 0.9 m (female/male connector)	2049764
Cable, M12, 17-pin, to CDx 15-pin D-sub HD, 2 m (female/male connector)	2055419
Cable, M12, 17-pin, to CDx 15-pin D-sub HD, 3 m (female/male connector)	2055420
Cable, M12, 17-pin, to CDx 15-pin D-sub HD, 5 m (female/male connector)	2055859
Cable, M12, 17-pin, to CDx 15-pin D-sub HD, drag-chain compliant, 3 m (female/male connector)	2061605
Cable, M12 17-pin, to open end, 5 m (female connector/open end) ¹⁾	6042772
Cable, M12 17-pin, to open end, 3 m (female connector/open end) ¹⁾	6042773
Cable, M12 17-pin, to open end, 2-pin, 10 m (female connector/open end)	6048319

¹⁾ Not suitable for RFU63x, CLV69x.

Connection cables M12, 17-pin ECOLAB (LECTOR®62x, RFH630, RFU63x, CLV69x, CLV6 series IP 69K) to CDB620/CDB650

Cable, M12 17-pin, to open end, 3 m, ECOLAB, drag-chain compliant	2070425
Cable, M12 17-pin, to open end, 5 m, ECOLAB, drag-chain compliant	2070426
Cable, M12 17-pin, to open end, 10 m, ECOLAB, drag-chain compliant	2070427
Cable, M12 17-pin, CDB650, (female/male connector), 3 m, ECOLAB, drag-chain compliant	6051194
Cable, M12 17-pin, CDB650, (female/male connector), 5 m, ECOLAB, drag-chain compliant	6051195

SICK function blocks

... When integrating applications into a controller, function blocks are often used to minimize the amount of programming effort involved.

What are function blocks?

Programs that

- Group together specific sensor and/or communication data and make it available in the PLC
- Are written in a language supported by the PLC
- Are written with the help of the PLC manufacturer's development environment, e.g., using STEP7, TwinCAT, etc.
- Are used in customer application programs
- Are executed in the PLC during runtime



Motivation

- Auto Ident and vision sensors are usually connected to PLCs
- Our function blocks (which are available free of charge) dramatically reduce the amount of integration effort for the customer

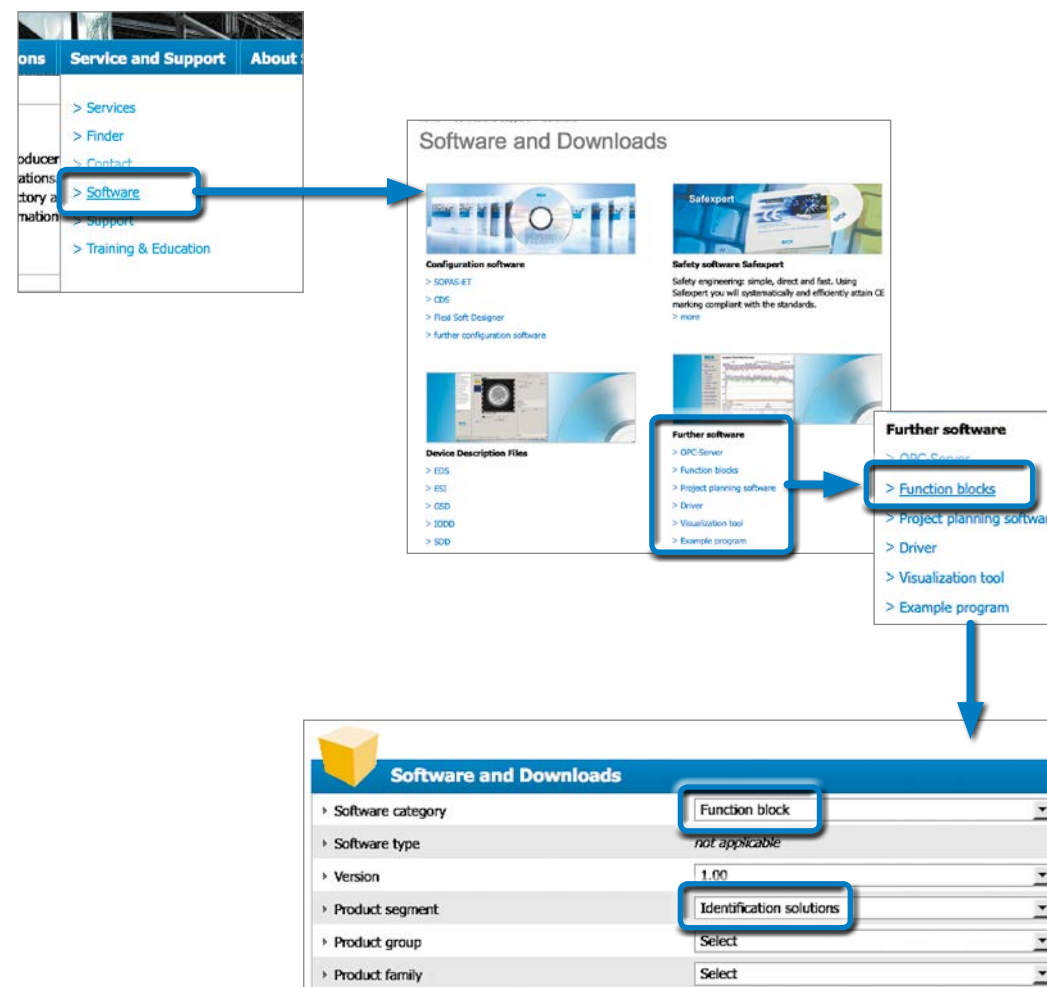
Fieldbus (PLC)	CLV6xx	LECTOR®62x	RFH6xx	RFU62x/ RFU63x
PROFIBUS DP / PROFINET IO on board (Siemens: SIMATIC S7-300/400)	✓	✓	✓	✓
PROFINET IO with external CP module (Siemens: SIMATIC S7-300/400)	✓	✓	✓	✓
Ethernet TCP/IP on board (Siemens: SIMATIC S7-300/400)	✓	✓	✓	✓
EtherNet IP (Rockwell Automation: RSlogix500 V16 or higher)	✓	✓	✓	✓
EtherCAT® on board (Beckhoff: TwinCAT2)	✓	✓	✓	— ¹⁾

¹⁾ Availability on request.

Function blocks for S7 PLCs

Easy integration of IDpro applications

► www.sick.com



Industrial communication and device integration

► www.sick.com

www.sick.com/industrial-communication

For more information: Follow the link provided or scan the QR code. You will be taken directly to the relevant page. With our user-friendly tools, we can help you with various tasks, such as using function blocks to integrate applications into the PLC program.



Brief description	Part no.
Connection cables 12-pin (CLV62x-65x, RFH620) to CDB620/CDF600/CDF600-2/CDM420	
Cable, M12, 12-pin, to CDX 15-pin D-sub HD, 0.9 m (female/male connector)	2042916
Cable, M12, 12-pin, to CDX 15-pin D-sub HD, 2 m (female/male connector)	2041834
Cable, M12, 12-pin, to CDX 15-pin D-sub HD, 3 m (female/male connector)	2042914
Cable, M12, 12-pin, to CDX 15-pin D-sub HD, 5 m (female/male connector)	2042915
Cable, M12, 12-pin, to CDX 15-pin D-sub HD, drag-chain compliant, 3 m (female/male connector)	2061604
Cable, M12 12-pin, to open end, 5 m (female connector/open end)	6034605
Cable, M12 12-pin, to open end, drag-chain compliant, 5 m (female connector/open end)	6045140

Connection cables 17-pin (LECTOR®62x, RFH630, RFU63x, CLV69x) to CDB620/CDF600/CDF600-2/CDM420

Cable, M12, 17-pin, to CDx 15-pin D-sub HD, 0.35 m (female/male connector)	2056184
Cable, M12, 17-pin, to CDx 15-pin D-sub HD, 0.9 m (female/male connector)	2049764
Cable, M12, 17-pin, to CDx 15-pin D-sub HD, 2 m (female/male connector)	2055419
Cable, M12, 17-pin, to CDx 15-pin D-sub HD, 3 m (female/male connector)	2055420
Cable, M12, 17-pin, to CDx 15-pin D-sub HD, 5 m (female/male connector)	2055859
Cable, M12, 17-pin, to CDx 15-pin D-sub HD, drag-chain compliant, 3 m (female/male connector)	2061605
Cable, M12 17-pin, to open end, 5 m (female connector/open end) ¹⁾	6042772
Cable, M12 17-pin, to open end, 3 m (female connector/open end) ¹⁾	6042773
Cable, M12 17-pin, to open end, 2-pin, 10 m (female connector/open end)	6048319

¹⁾ Not suitable for RFU63x, CLV69x.

Connection cables M12, 17-pin ECOLAB (LECTOR®62x, RFH630, RFU63x, CLV69x, CLV6 series IP 69K) to CDB620/CDB650

Cable, M12 17-pin, to open end, 3 m, ECOLAB, drag-chain compliant	2070425
Cable, M12 17-pin, to open end, 5 m, ECOLAB, drag-chain compliant	2070426
Cable, M12 17-pin, to open end, 10 m, ECOLAB, drag-chain compliant	2070427
Cable, M12 17-pin, CDB650, (female/male connector), 3 m, ECOLAB, drag-chain compliant	6051194
Cable, M12 17-pin, CDB650, (female/male connector), 5 m, ECOLAB, drag-chain compliant	6051195